



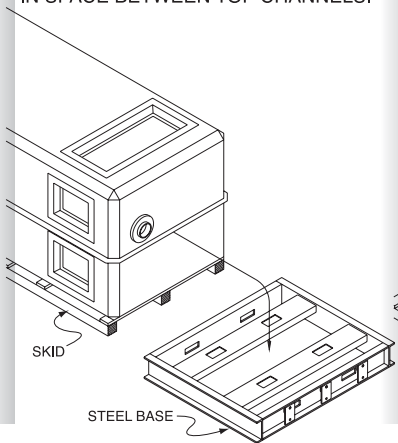
TEMPERATURE CONTROLLERS... PORTABLE CHILLERS... CENTRAL CHILLERS... PUMP TANK STATIONS... TOWER SYSTEMS...

SUBJECT: POWER TOWER SITE ASSEMBLY AND RIGGING INSTRUCTIONS FOR SINGLE CELL MODELS PT-45, PT-85, AND PT-135

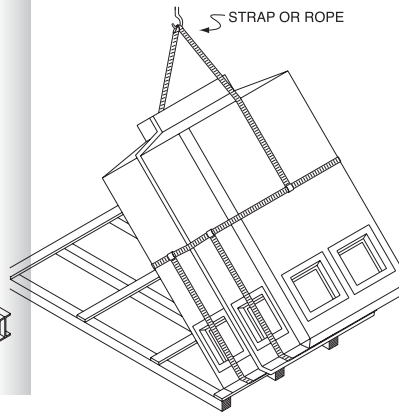
#6-I-209

11/21/1996

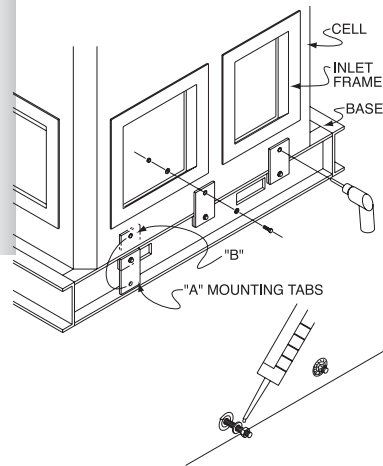
1 PREPARING THE CELL FOR INSTALLATION... TOWER CELLS ARE SHIPPED LYING DOWN ON SKID. WHEN CELL IS STOOD UP ON BASE, BOTTOM SEAM MUST BE IN SPACE BETWEEN TOP CHANNELS.



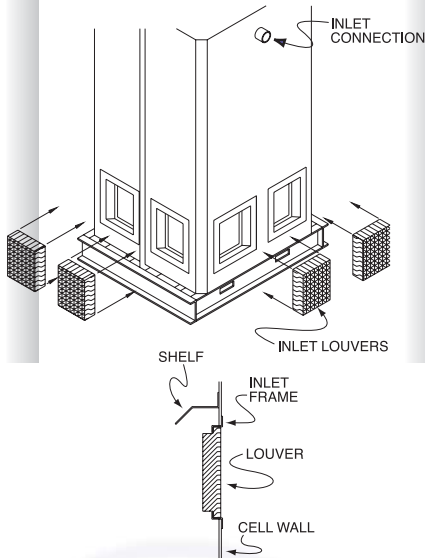
2 LIFT CELL FROM SKID ONTO BASE... MANY POSSIBLE METHODS EXIST FOR LIFTING CELL ONTO BASE. THIS DIAGRAM SHOWS ONE OF THESE METHODS. **USE EXTREME CARE WHEN LIFTING TO AVOID DAMAGING CELL.**



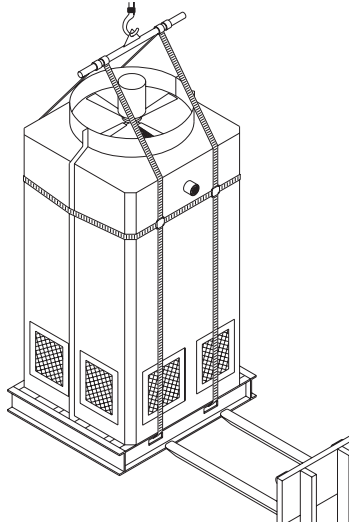
3 ATTACH CELL TO BASE AND SEAL FASTENERS... AFTER CELL IS STANDING ON BASE, LOOSEN BOLTS AT "A" AND ROTATE MOUNTING TABS INTO POSITION. MARK HOLES TO BE DRILLED AT "B" AND DRILL 3/8" DIA. HOLES. AFTER HOLES ARE DRILLED, PUT A BEAD OF SILICONE AROUND HOLE; PRESS WASHER INTO SILICONE AND ADD ANOTHER BEAD OF SILICONE TO THREAD NUT INTO. ONCE BOLTS ARE TIGHTENED COMPLETELY SEAL ENTIRE ASSEMBLY WITH SILICONE.



4 INSTALLING LOUVERS... PRESS INLET LOUVERS INTO INLET FRAMES. BE SURE TO PUSH THEM ALL THE WAY IN, AS SHOWN. THE LONG SIDES ARE AN INTERFERENCE FIT. THEY MUST BE PUT IN SO THAT THE INSIDE ANGLE IS POINTING DOWN. THEY SHOULD FIT TIGHTLY.



5 HOISTING CELL FOR PLACEMENT ON STAND OR ROOF... ONCE CELL IS ASSEMBLED, IT MUST BE KEPT UPRIGHT AND BE LIFTED ONLY BY THE STEEL BASE, SHOWN IS ONE METHOD FOR OVERHEAD LIFTING. A FORK LIFT MAY ALSO BE USED TO LIFT AND TRANSPORT THE CELL. USE CAUTION TO AVOID DAMAGING THE FIBERGLASS.



6 GENERAL DETAILS... SELF-SUPPORTING BASES HAVE PRE-DRILLED HOLES FOR MOUNTING TO LEG EXTENSIONS THAT ARE TOPPED WITH A 10" X 10" X 1/2" HRS PLATE. A MINIMUM DISTANCE OF 24" IS RECOMMENDED BETWEEN ADJACENT TOWER CELLS.

