

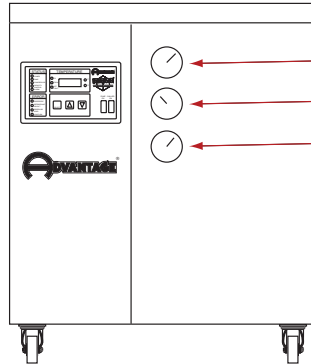


TEMPERATURE CONTROLLERS... PORTABLE CHILLERS... CENTRAL CHILLERS... PUMP TANK STATIONS... TOWER SYSTEMS...

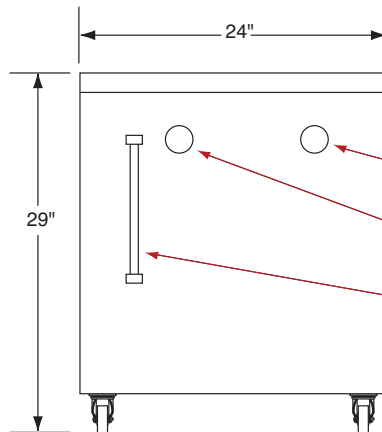
SUBJECT: MK-2AY PHYSICAL

#3-H-187

2/07/1996



PRESSURE TO PROCESS
REFRIGERANT HEAD PRESSURE
REFRIGERANT SUCTION PRESSURE



TO PROCESS
FROM PROCESS
LIQUID LEVEL

